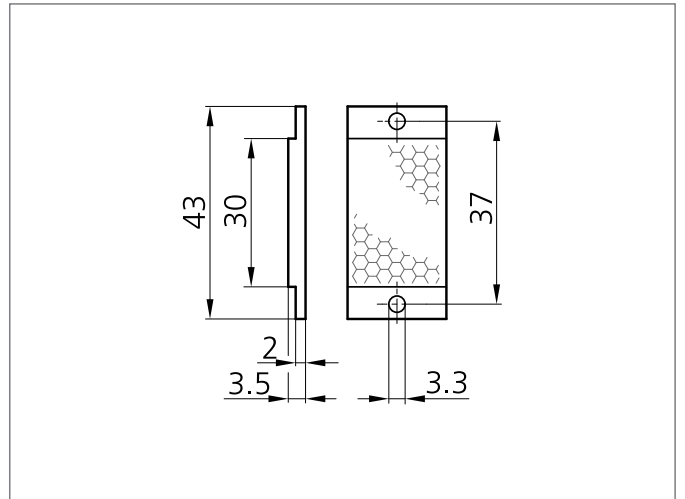
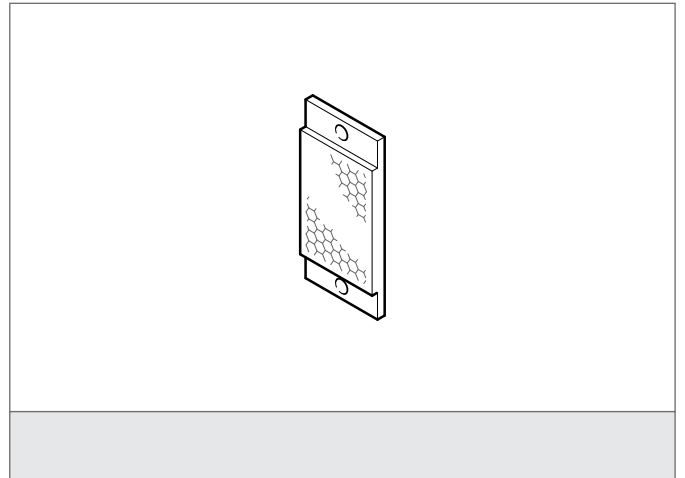


## RL 43x20/110° Reflector

- For laser-light
- Heat-resistant until 110 °C
- Hole Ø3.3 mm (2x)
- Suitable for polarized light



### TECHNICAL INFORMATION (typ.)

Mounting	2 holes
Emitted light	Red light laser
Ambient temperature	until 110 °C
Height	3,5 mm